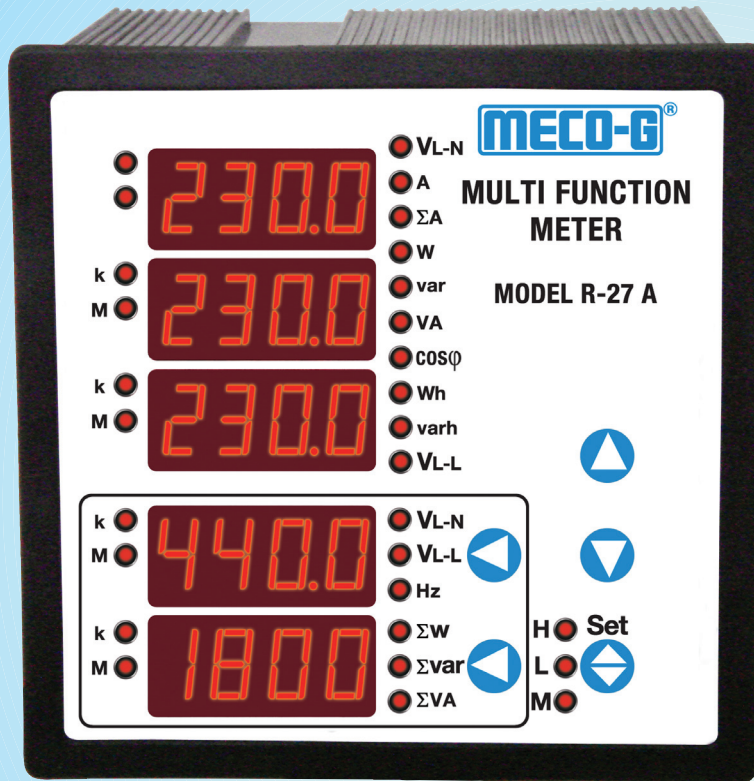


MULTIFUNCTION METER



R-27 series multifunction network instruments can measure more than 50 electrical parameters in the electrical circuit.

It has 2-channel electrical energy pulse outputs, 4-channel switching value inputs and RS 485 communication output with modbus protocol. 4channel switching value outputs or 4 channel transmitting outputs are also available.

MEASURING PARAMETERS:

- ✦ Phase - Neutral Voltage (**VL_N**)
- ✦ Phase - Phase Voltage (**VL_L**)
- ✦ Phase - Current (**A**)
- ✦ Total Current (**ΣA**)
- ✦ Active Power (**W**)
- ✦ Reactive Power (**var**)
- ✦ Apparent Power (**VA**)
- ✦ Power Factor (**Cosφ**)
- ✦ Active Electric Energy (**Wh**)
- ✦ Reactive Electric Energy (**varh**)
- ✦ Average phase - neutral Voltage (**VL_N**)
- ✦ Average phase - phase Voltage (**VL_L**)
- ✦ Frequency (**Hz**)
- ✦ Total Active Power (**ΣW**)
- ✦ Total Reactive Power (**Σvar**)
- ✦ Total Apparent Power (**ΣVA**)
- ✦ Max. Value (**H**)
- ✦ Min. Value (**L**)
- ✦ Demand Value (**M**)

MODEL	FOUR CHANNEL TRANSMITTING OUTPUT	FOUR CHANNEL SWITCHING VALUE OUTPUT	RS-485 INTERFACE	TWO CHANNEL ENERGY PULSE OUTPUT	FOUR CHANNEL SWITCHING VALUE INPUT
R-27A	NO	NO	NO	NO	NO
R-27B	NO	NO	YES	YES	YES
R-27C	NO	YES	YES	YES	YES
R-27D	YES	YES	YES	YES	YES

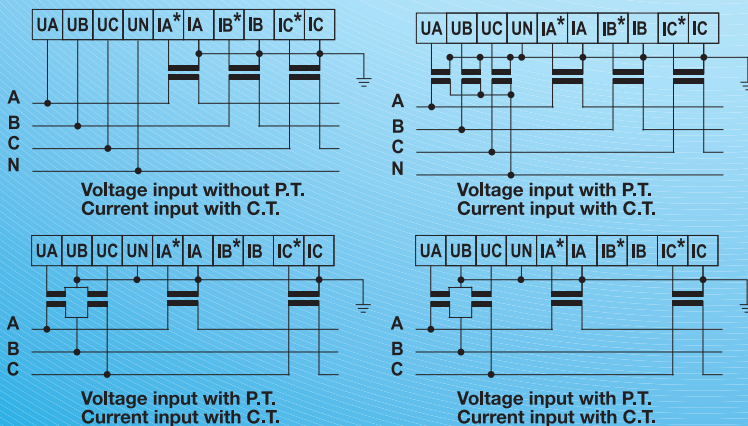
Multifunction Meters

MODEL R-27 SERIES

TECHNICAL SPECIFICATIONS

INPUT	Network	3 Phase 3 Wire, 3 Phase 4 Wire		
	Volts	Rated Value	AC 110V, 230V, 440 V	
		Over Load	Continuous: 1.2 times, Instantaneous: 2 times <20s	
		Consumption	< 1 VA each Phase	
		Impedance	> 500kΩ	
	Current	Rated Value	AC 1A, 5A	
		Over Load	Continuous: 1.2 times, Instantaneous: 20 times <1s	
Impedance		<20mΩ		
Frequency	45 ~ 65 Hz.			
OUTPUT	Output Mode	Two channel open-collector optical coupling pulse output		
ELECTRIC	Pulse	Active 10000 imp/kwh		
	Constant	Reactive 10000 imp/kvarh		
	Start	At rated Voltage, reference frequency and the load current is more than 0.001 times In, it can start and measure the electric energy continuously		
	Communication	Output mode	RS 485, PROTOCOL MODBUS, RTU	
		Baud Rate	1200, 2400, 4800, 9600	
	Analog	Channels	Four Channels	
	Output	Output Mode	0-20mA, 4-20mA programmable	
		Load Ability	< 400 W	
	Switching	Channels	Four Channels	
	Value	Output Mode	Normally open relay contact output	
		Load Ability	AC 240 V / 1A	
	Switching Value input	Four dry contact input modes		
	DISPLAY	7 SEGMENT BRIGHT RED LED DISPLAY, FIVE ROWS		
ACCURACY	Volts, Current	± (0.5% FS + 2 dgts)		
	Watts, Var, KVA	± (0.5% FS + 2 dgts)		
	Frequency	± 0.1 Hz		
	Power Factor	± 0.01 PF		
	Active Energy	± 0.5%		
	Reactive Energy	± 2.0%		
	SUPPLY	Auxillary Supply	AC/DC 85~264 V , < 5VA	
SAFETY	AC BREAKDOWN VOLTAGE	Bet. Input or Output and Supply: 2KV 50 Hz/ 1 min.		
		Bet. Input and Output: 1KV 50 Hz/1 min.		
	INS. RESISTANCE	Bet. Input / Output / supply and casing: 20 MW @ 500V DC.		
OPERATING CONDITIONS	TEMPERATURE	OPERATING: -10° ~ 50° C		
		STORAGE: -25° ~ 70° C		
	HUMIDITY	< 85% RH, free of moisture and gas.		

CONNECTION DIAGRAM



DIMENSIONS

