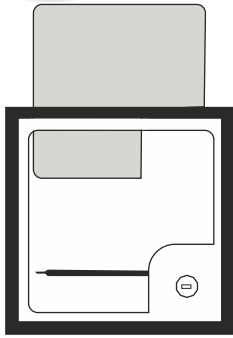


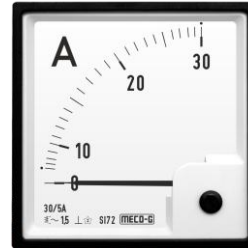
# MOVING IRON ANALOG AC PANEL METERS AMMETERS / VOLTMETERS (DIN TYPE)



INTERCHANGEABLE SCALE



FRONT BEZEL COLOUR

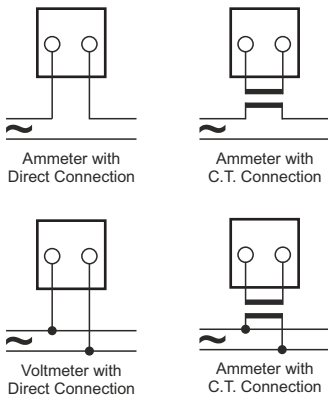


SI-72



SI-96

### CONNECTION DIAGRAM



### Model

Description

Movement Type  
Accuracy

Self consumption  
Operating Voltage

Test Voltage  
Construction & Design  
Scale

Bezel  
Casing/Housing  
Glass Faceplate  
Mounting Clamps

Temperature Conditions

Terminal Protection

### SI-48, SI-72, SI-96, S144

Moving iron meter of 90° deflection with interchangeable scale  
(SI-72 & SI-96 ONLY)

Moving iron spring-mounted jewel bearing suspension  
±1.5% (regular), ±1.0% (Optional), ±2.5% (suppressed), ±1.5%  
(Optional - Suppressed) of full scale as IS 1248, EN60051

Ammeters (Up-to 5AAC) : 0.6VA, Voltmeters (Up-to 500VAC) : 5VA  
600V RMS max

2.5KV for 1 minute at 50Hz

According to IS 1248, EN60051

According to DIN 43802

Black ABS, dimensions as per DIN 43718

Black ABS, dimensions as per DIN 43700

Antiglare (Optional)

Ergonomic easy mountable clamps and nuts for easy installation on  
switchboards, Panels, etc.

-10°C ~ + 55°C, RH <90% (Operating)

-10°C ~ + 70°C, RH <90% (Storing) as per EN 60051

Back cover for IP20 terminal protection as per IS 2147 (Optional)

Voltmeters			Ammeters					
Input			1x Input		2x Input		6x Input	
Direct	with PT Ratio & Scale		Direct	with CT	Direct	with CT	Direct	with CT
15V	PTR/63.5V	4KV/--	25mA	CTR/1A	1/2A	CTR/1A	1/6A	CTR/1A
30V	PTR/110V	5KV/--	100mA	CTR/5A	5/10A	CTR/5A	5/30A	CTR/5A
60V	PTR/230V	6KV/--	500mA	10/--	10/20A	10/20/--	10/60A	10/60/--
75V	PTR/250V	7.5KV/--	1A	15/--	15/30A	15/30/--	15/90A	15/90/--
100V	PTR/400V	10KV/--	5A	20/--	20/40A	20/40/--	20/120A	20/120/--
110V	PTR/440V	11KV/--	10A	25/--	25/50A	25/50/--	25/150A	25/150/--
125V		15KV/--	15A	30/--	30/60A	30/60/--	30/180A	30/180/--
150V		20KV/--	20A	40/--	40/80A	40/80/--	40/240A	40/240/--
200V		30KV/--	25A	50/--	50/100A	50/100/--	50/300A	50/300/--
250V	1KV/--	40KV/--	30A	75/--	60/120A	75/150/--	60/360A	75/450/--
300V	1.2KV/--	50KV/--	40A	100/--	75/150A	100/200/--	75/450A	100/600/--
500V	1.5KV/--	60KV/--	50A	150/--	80/160A	150/300/--	80/480A	150/900/--
600V	2KV/--	70KV/--	60A	250/--	100/200A	250/500/--	100/600A	250/1500/--
750V	2.5KV/--	75KV/--	75A	400/--		400/800/--		400/2400/--
800V	3KV/--	80KV/--	80A	500/--		500/1000/--		500/3000/--
1000V	3.5KV/--	100KV/--	100A	1000/--		1000/2000/--		1000/6000/--
				1500/--		1500/3000/--		1500/9000/--
		and higher		and higher		and higher		and higher

### Notes

- All Instruments Calibrated @ 50Hz. (Up-to 1KHz on request)
- Meters with accuracy class 1.0% available.
- Terminal protection back cover also available.
- Rubber Gasket available for Vibration.
- Only Dials without Instruments also available. (Vice-Versa)
- Double Stamping / Non-standard marking available.
- Red Marking available.
- Meters with Various band markings (Yellow / Red / Green)
- Front Bezel available in Blue & Orange colours (Optional).
- Test Certificate can be provided for instrument (On Request)